



Turnierplan 8er Raster Doppel K.O.

03.03.25

17

|   |        |
|---|--------|
| 6 | Ulf    |
| 5 | Jochen |

Spiel um Platz 5 + 6

|   |       |
|---|-------|
| 7 | Matti |
| 8 | Ulf   |

Spiel um Platz 7 + 8

|         |
|---------|
| Philipp |
| Jürgen  |

|         |
|---------|
| Höbschi |
| Philipp |

Verlierer spielen um Platz 5 + 6

Verlierer spielen um Platz 7 + 8

|            |
|------------|
| Jochen     |
| Philipp K. |

|        |
|--------|
| Matti  |
| Jochen |

|       |
|-------|
| Matti |
| Gery  |

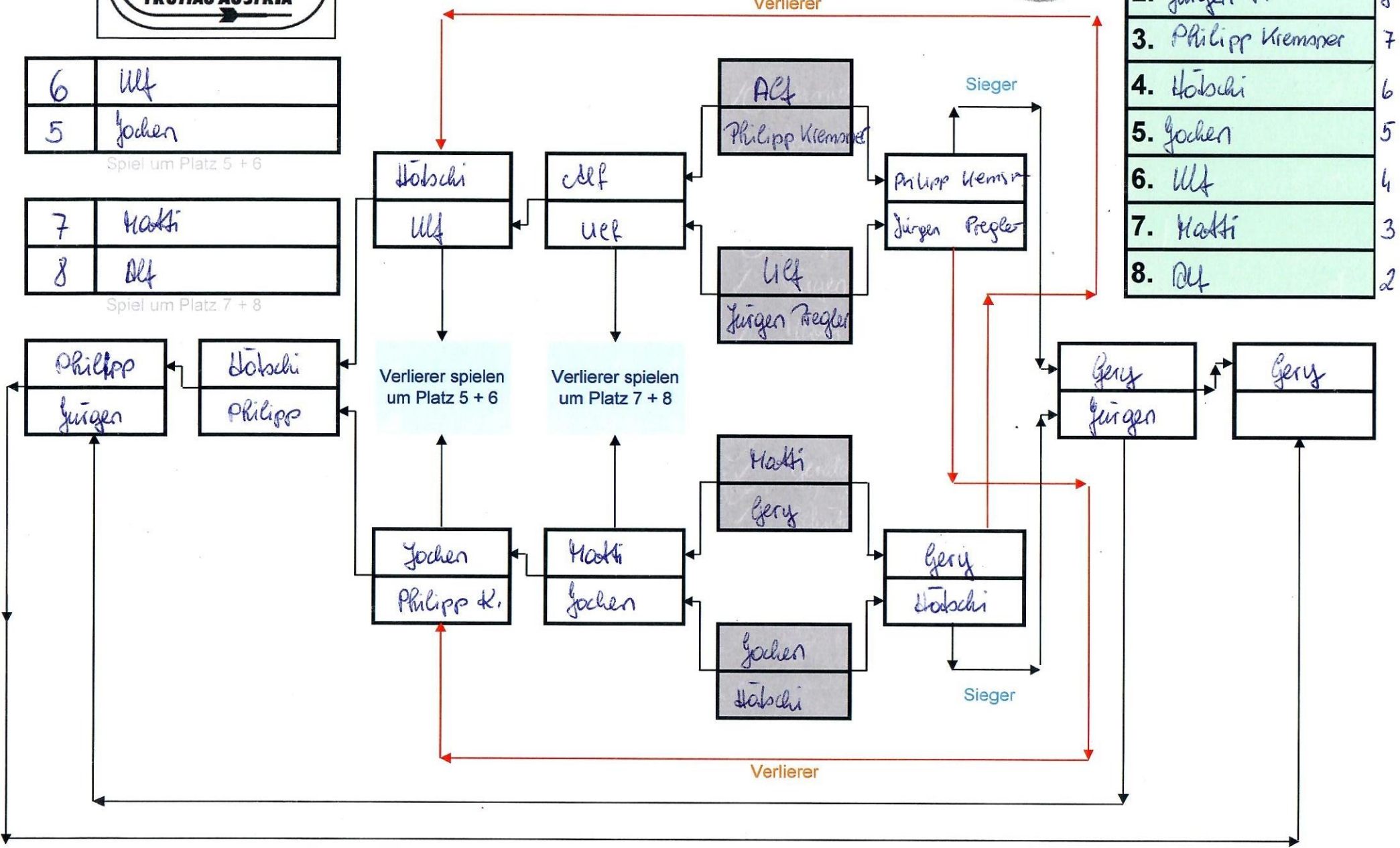
|         |
|---------|
| Jochen  |
| Höbschi |

|         |
|---------|
| Gery    |
| Höbschi |

|        |
|--------|
| Gery   |
| Jürgen |

|      |
|------|
| Gery |
|      |

|    |                 |    |
|----|-----------------|----|
| 1. | Gery            | 10 |
| 2. | Jürgen P.       | 8  |
| 3. | Philipp Kremmer | 7  |
| 4. | Höbschi         | 6  |
| 5. | Jochen          | 5  |
| 6. | Ulf             | 4  |
| 7. | Matti           | 3  |
| 8. | Ulf             | 2  |



| SPIELER: | LEBEN: | HS | HF | Glad | Total |
|----------|--------|----|----|------|-------|
|----------|--------|----|----|------|-------|

| SPIELER: | LEBEN: | HS | HF | Glad | Total |
|----------|--------|----|----|------|-------|
|----------|--------|----|----|------|-------|

|     |                   |        |   |  |   |    |
|-----|-------------------|--------|---|--|---|----|
| ✓1  | Hanni             | ⑥⑤④③②① |   |  | 1 | 1✓ |
| ✓2  | Mario Kronek      | ⑥⑤④③②① |   |  | 1 | 1✓ |
| ✓3  | Jürgen Pürstinger | ⑥⑤④③②① |   |  | 1 | 1✓ |
| ✓4  | Dunsti            | ⑥⑤④③②① |   |  | 1 | 1✓ |
| ✓5  | Oliver Varga      | ⑥⑤④③②① |   |  | 1 | 1✓ |
| ✓6  | Stefan Varga      | ⑥⑤④③②① |   |  | 1 | 1✓ |
| ✓7  | Rudi Brantner     | ⑥⑤④③②① |   |  | 1 | 1✓ |
| ✓8  | Philipp Grögler   | ⑥⑤④③②① |   |  | 1 | 1✓ |
| ✓9  | Christian Keist   | ⑥⑤④③②① |   |  | 1 | 1✓ |
| ✓10 | Kurt Brantner     | ⑥⑤④③②① |   |  | 1 | 1✓ |
| ✓11 | Paul Grögler      | ⑥⑤④③②① |   |  | 1 | 1✓ |
| ✓12 | Horst Reischer    | ⑥⑤④③②① |   |  | 1 | 1✓ |
| ✓13 | Ulf               | ⑥⑤④③②① | 1 |  | 4 | 5✓ |
| ✓14 | Hotschi           | ⑥⑤④③②① | 1 |  | 6 | 7✓ |
| ✓15 | Willi             | ⑥⑤④③②① |   |  | 1 | 1✓ |
| ✓16 | Philipp Kiemner   | ⑥⑤④③②① | 1 |  | 7 | 8✓ |
| ✓17 | Inge              | ⑥⑤④③②① |   |  | 1 | 1✓ |
| ✓18 | Admiral           | ⑥⑤④③②① |   |  | 1 | 1✓ |

|     |                      |        |              |  |    |     |
|-----|----------------------|--------|--------------|--|----|-----|
| ✓19 | Daniela Rossmann     | ⑥⑤④③②① |              |  | 1  | 1✓  |
| ✓20 | Jochen Wallisch      | ⑥⑤④③②① |              |  | 5  | 5✓  |
| ✓21 | Dr. Karl             | ⑥⑤④③②① |              |  | 1  | 1✓  |
| ✓22 | Jürgen Fegler        | ⑥⑤④③②① | 1            |  | 8  | 9✓  |
| ✓23 | Jürgen Trenker       | ⑥⑤④③②① |              |  | 1  | 1✓  |
| ✓24 | Marki                | ⑥⑤④③②① | 1            |  | 3  | 4✓  |
| ✓25 | Thomas Ortner        | ⑥⑤④③②① |              |  | 1  | 1✓  |
| ✓26 | Olf                  | ⑥⑤④③②① |              |  | 2  | 2✓  |
| ✓27 | Gerald Stalensteiner | ⑥⑤④③②① | <del>1</del> |  | 1  | 1✓  |
| ✓28 | Schützi              | ⑥⑤④③②① | III          |  | 10 | 13✓ |
| 29  |                      | ⑥⑤④③②① |              |  |    |     |
| 30  |                      | ⑥⑤④③②① |              |  |    |     |
| 31  |                      | ⑥⑤④③②① |              |  |    |     |
| 32  |                      | ⑥⑤④③②① |              |  |    |     |
| 33  |                      | ⑥⑤④③②① |              |  |    |     |
| 34  |                      | ⑥⑤④③②① |              |  |    |     |
| 35  |                      | ⑥⑤④③②① |              |  |    |     |
| 36  |                      | ⑥⑤④③②① |              |  |    |     |