



Turnierplan 8er Raster Doppel K.O.

7 07.11.22

1.	GERRI	10
2.	ALF	9
3.	GSCHIESL	7
4.	HÖTSCHI	6
5.	ULF	5
6.	ALOIS	4
7.	PHILIPP	3
8.	WILLI	2

6	ALAS
5	ULF

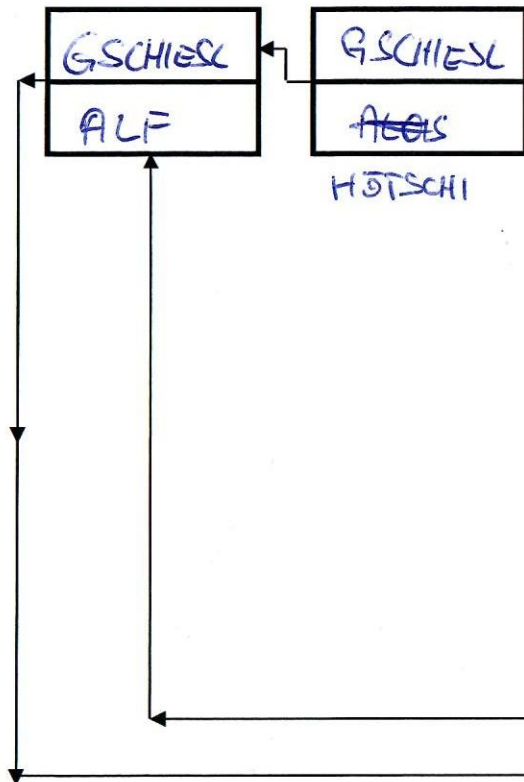
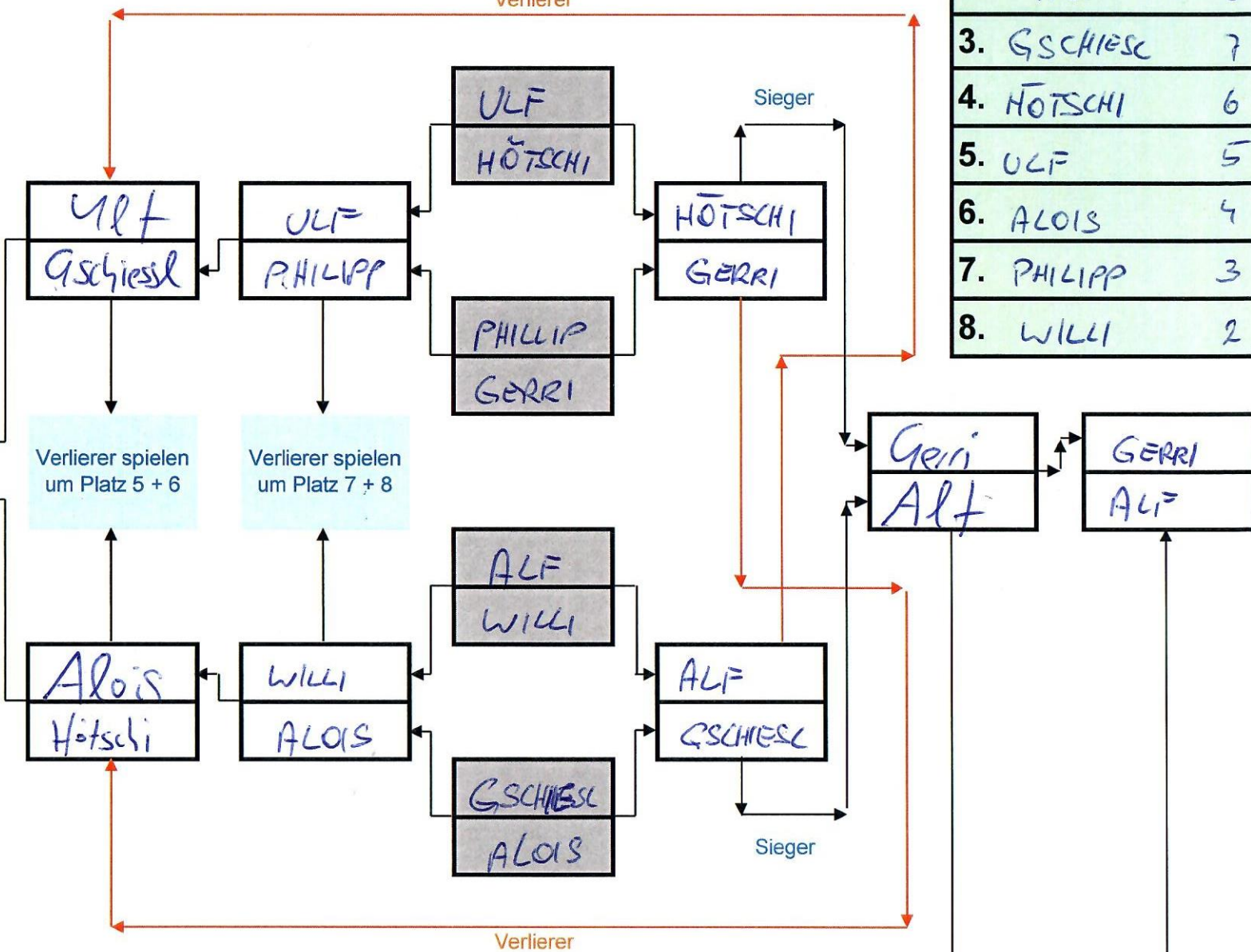
Spiel um Platz 5 + 6

8	Willi
7	Philipp

Spiel um Platz 7 + 8

GSCHIESL	ALF
GSCHIESL	ALAS

HÖTSCHI



SPIELER:	LEBEN:	HS	HF	Glad	Total
----------	--------	----	----	------	-------

SPIELER:	LEBEN:	HS	HF	Glad	Total
----------	--------	----	----	------	-------

1	Maui	⑥⑤④③②①			1	1
2	Philipp	⑥⑤④③②①			3	3
3	Gschissl	⑥⑤④③②①	1		7	8
4	Alt	⑥⑤④③②①			8	8
5	Hr Karl	⑥⑤④③②①			1	1
6	Supé	⑥⑤④③②①			1	1
7	Adwinol	⑥⑤④③②①			1	1
8	Willi	⑥⑤④③②①			2	2
9	Ulf	⑥⑤④③②①	1		5	6
10	Kicul	⑥⑤④③②①	1		1	2
11	Abweel	⑥⑤④③②①			1	1
12	Höbner	⑥⑤④③②①			6	6
13	Geni	⑥⑤④③②①	11	11	10	14
14	Heimo	⑥⑤④③②①			1	1
15	Humes	⑥⑤④③②①			1	1
16	Alois	⑥⑤④③②①			4	4
17		⑥⑤④③②①				
18		⑥⑤④③②①				

19		⑥⑤④③②①				
20		⑥⑤④③②①				
21		⑥⑤④③②①				
22		⑥⑤④③②①				
23		⑥⑤④③②①				
24		⑥⑤④③②①				
25		⑥⑤④③②①				
26		⑥⑤④③②①				
27		⑥⑤④③②①				
28		⑥⑤④③②①				
29		⑥⑤④③②①				
30		⑥⑤④③②①				
31		⑥⑤④③②①				
32		⑥⑤④③②①				
33		⑥⑤④③②①				
34		⑥⑤④③②①				
35		⑥⑤④③②①				
36		⑥⑤④③②①				