

Turnierplan 8er Raster Doppel K.O.

20.20 31.20

11.11.24

7

6	Zopek
5	Kasperek

Spiel um Platz 5 + 6

8	Hauxi
7	Ulf

Spiel um Platz 7 + 8

David	Jochen
-------	--------

Kevin	David
-------	-------

Verlierer spielen um Platz 5 + 6

Verlierer spielen um Platz 7 + 8

Zopek	David
-------	-------

Ulf	Zopek
-----	-------

5	Kasperek	Ulf
---	----------	-----

6	Jochen	Zopek
---	--------	-------

1	Kevin	David
---	-------	-------

3	Hötschi	Hauxi
---	---------	-------

David	Hötschi
-------	---------

Hötschi	Jochen
---------	--------

Kasperek	Jochen
----------	--------

Hötschi	Jochen
---------	--------

Hötschi	David
---------	-------

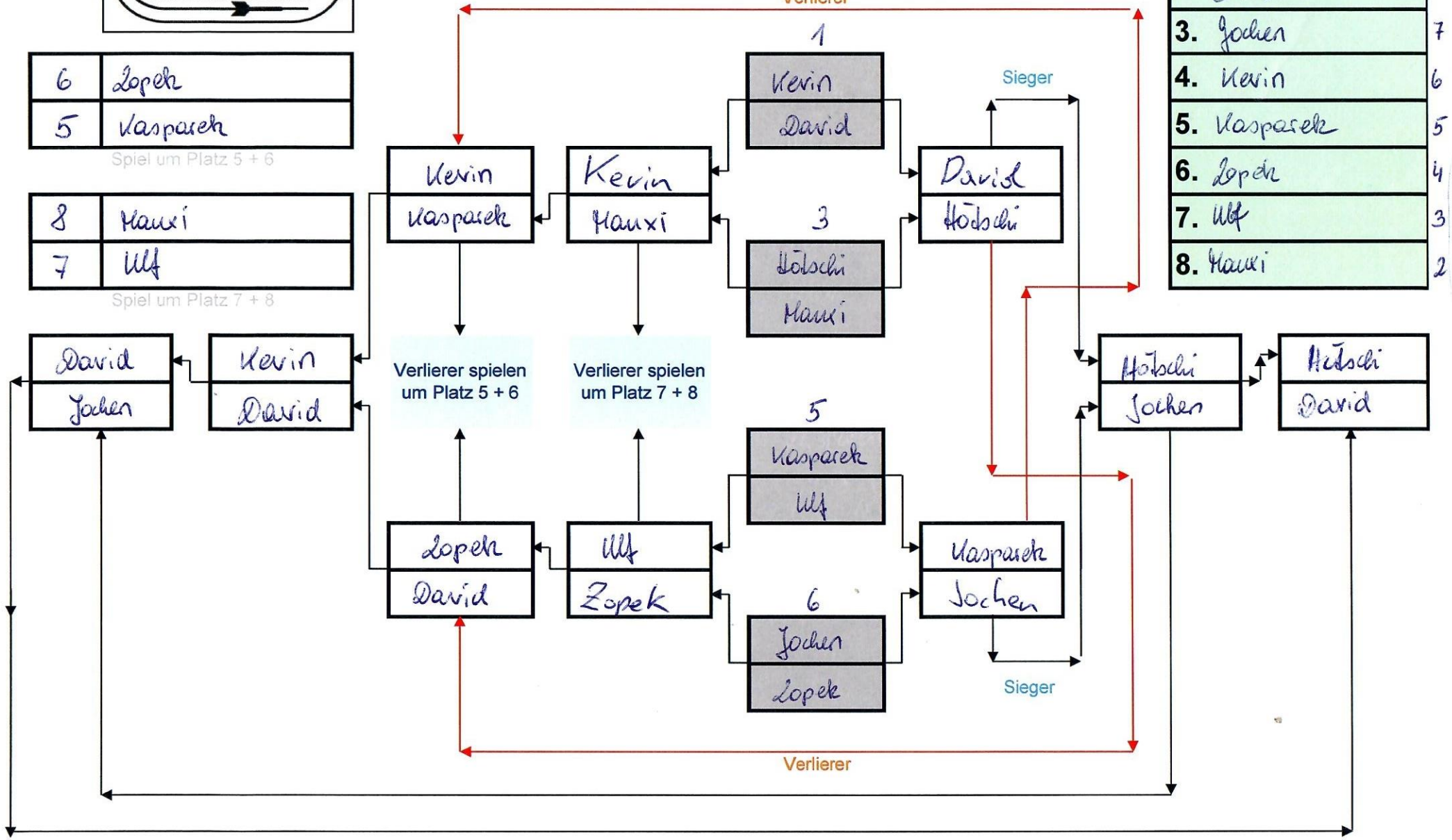
1.	Hötschi	10
2.	David	8
3.	Jochen	7
4.	Kevin	6
5.	Kasperek	5
6.	Zopek	4
7.	Ulf	3
8.	Hauxi	2

Verlierer

Sieger

Sieger

Verlierer



GLADIATOR TAGESWERTUNG

7

Datum: 11.11.24

SPIELER:	LEBEN:	HS	HF	Glad	Total
✓ 1 Dumst	⑥⑤④③②①⑦			1	1 ✓
✓ 2 Maxio Bronch	⑥⑤④③②①			1	1 ✓
✓ 3 Stefan	⑥⑤④③②①			1	1 ✓
✓ 4 Heinzl	⑥⑤④③②①			1	1 ✓
✓ 5 Jürgen Pürst	⑥⑤④③②①			1	1 ✓
✓ 6 Hauzi	⑥⑤④③②①			2	2 ✓
✓ 7 Alois	⑥⑤④③②①			1	1 ✓
✓ 8 Dr. Karl	⑥⑤④③②①			1	1 ✓
✓ 9 Alf	⑥⑤④③②①			3	3 ✓
✓ 10 Christian Keist	⑥⑤④③②①			1	1 ✓
✓ 11 Willi	⑥⑤④③②①			1	1 ✓
✓ 12 Sascha	⑥⑤④③②①	1		1	2 ✓
✓ 13 David	⑥⑤④③②①			8	8 ✓
✓ 14 Jürgen Trenkel	⑥⑤④③②①			1	1 ✓
✓ 15 Kevin Polacnik	⑥⑤④③②①			6	6 ✓
✓ 16 Philipp Adl	⑥⑤④③②①			1	1 ✓
✓ 17 Grogler Pauli	⑥⑤④③②①			1	1 ✓
✓ 18 Hölzli	⑥⑤④③②①			10	10 ✓

SPIELER:	LEBEN:	HS	HF	Glad	Total
✓ 19 Lopek	⑥⑤④③②①			4	4 ✓
✓ 20 Alf	⑥⑤④③②①			1	1 ✓
✓ 21 Philipp Grogler	⑥⑤④③②①			1	1 ✓
✓ 22 Admiral	⑥⑤④③②①	1		1	2 ✓
✓ 23 Edis	⑥⑤④③②①			1	1 ✓
✓ 24 Renato	⑥⑤④③②①			1	1 ✓
✓ 25 Gochen	⑥⑤④③②①	1		7	8 ✓
✓ 26 Kasparek	⑥⑤④③②①			5	5 ✓
27	⑥⑤④③②①				
28	⑥⑤④③②①				
29	⑥⑤④③②①				
30	⑥⑤④③②①				
31	⑥⑤④③②①				
32	⑥⑤④③②①				
33	⑥⑤④③②①				
34	⑥⑤④③②①				
35	⑥⑤④③②①				
36	⑥⑤④③②①				