



Turnierplan 8er Raster Doppel K.O.

20.02.23

16

	Ritschi
	Andy

Spiel um Platz 5 + 6

	Ulf
	David

Spiel um Platz 7 + 8

Jochen	
Matti	

Hotschi	
Jochen	

Verlierer spielen um Platz 5 + 6

Verlierer spielen um Platz 7 + 8

Jochen	
Ritschi	

David	
Jochen	

Ulf	
Ritschi	

Hotschi	
Heinzi	

Andy	
David	

Jochen	
Matti	

Ritschi	
Heinzi	

Andy	
Matti	

Heinzi	
Matti	

Heinzi	
Jochen	

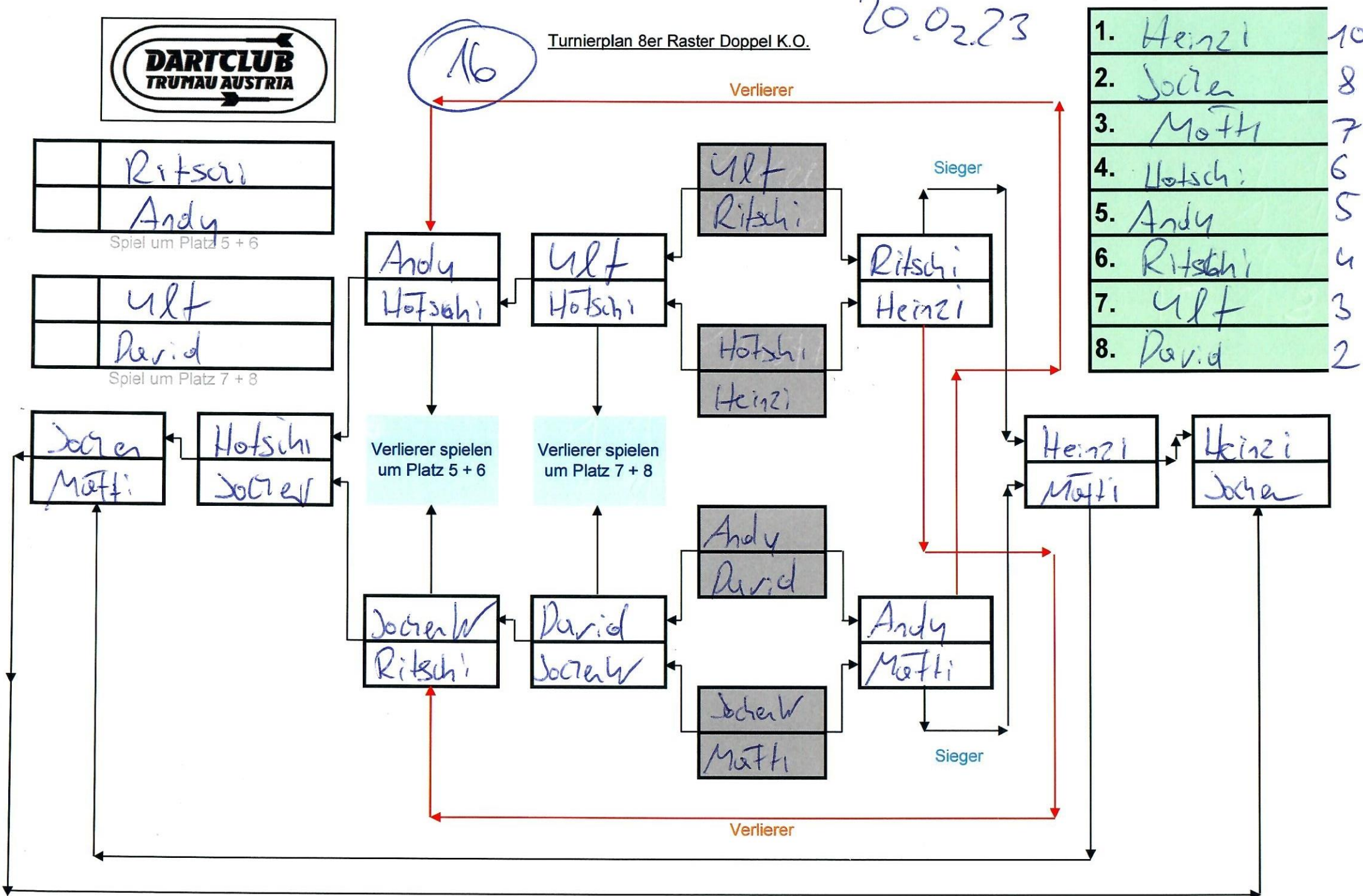
1.	Heinzi	10
2.	Jochen	8
3.	Matti	7
4.	Hotschi	6
5.	Andy	5
6.	Ritschi	4
7.	Ulf	3
8.	David	2

Verlierer

Sieger

Sieger

Verlierer



# GLADIATOR TAGESWERTUNG

16

Datum: 20.02.23

SPIELER:	LEBEN:	HS	HF	Glad	Total
✓ 1 Heinzl	●●●●●(3)(2)(1)		1	10	11 ✓
✓ 2 Inge	●●●●●●●●			1	1 ✓
✓ 3 Karin	●●●●●●●●			1	1 ✓
✓ 4 Wilfried	●●●●●●●●			1	1 ✓
✓ 5 Sochen W.	●●●●●●(2)(1)			8	8 ✓
✓ 6 Dr. Kowen	●●●●●●●●			1	1 ✓
✓ 7 Edis	●●●●●●●●			1	1 ✓
✓ 8 Klaus	●●●●●●●●			1	1 ✓
✓ 9 Ahmed	●●●●●●●●			1	1 ✓
✓ 10 Andy	●●●●●(5)(4)(3)(2)(1)	1	1	5	7 ✓
✓ 11 Stefan	●●●●●●●●			1	1 ✓
✓ 12 Ulf	●●●●●●(3)(2)(1)			3	3 ✓
✓ 13 Richard Frohlich	●●●●●●●●(1)			4	4 ✓
✓ 14 Uenkul	●●●●●●●●			1	1 ✓
✓ 15 Hotschi	●●●●●●●●(2)(1)			6	6 ✓
✓ 16 Alf	●●●●●●●●			1	1 ✓
✓ 17 David	●●●●●●●●(3)(2)(1)			2	2 ✓
✓ 18 Phillip	●●●●●●●●			1	1 ✓

SPIELER:	LEBEN:	HS	HF	Glad	Total
✓ 19 Wely	●●●●●●●●(2)(1)			1	1 ✓
✓ 20 Hemo	●●●●●●●●			1	1 ✓
✓ 21 Admiral	●●●●●●●●			1	1 ✓
✓ 22 Alois	●●●●●●●●		1/46	1	3 ✓
✓ 23 Motti	●●●●●●●●(2)(1)			7	7 ✓
24	●●●●●●●●(6)(5)(4)(3)(2)(1)				
25	●●●●●●●●(6)(5)(4)(3)(2)(1)				
26	●●●●●●●●(6)(5)(4)(3)(2)(1)				
27	●●●●●●●●(6)(5)(4)(3)(2)(1)				
28	●●●●●●●●(6)(5)(4)(3)(2)(1)				
29	●●●●●●●●(6)(5)(4)(3)(2)(1)				
30	●●●●●●●●(6)(5)(4)(3)(2)(1)				
31	●●●●●●●●(6)(5)(4)(3)(2)(1)				
32	●●●●●●●●(6)(5)(4)(3)(2)(1)				
33	●●●●●●●●(6)(5)(4)(3)(2)(1)				
34	●●●●●●●●(6)(5)(4)(3)(2)(1)				
35	●●●●●●●●(6)(5)(4)(3)(2)(1)				
36	●●●●●●●●(6)(5)(4)(3)(2)(1)				